



# MF BALL VALVE FOR WATER TOTAL PASSAGE - SERIES ARNO<sup>®</sup>

CT3373.0\_02  
EN  
October 2016



## PRODUCTION RANGE

### LEVER ADJUSTMENT

Code	3373 14NI	3373 38NI	3373 12NI	3373 34NI	3373 10NI	3373 04NI	3373 02NI	3373 20NI
Size	1/4"	3/8"	1/2"	3/4"	1"	1 1/4"	1 1/2"	2"
PN [bar]	40							

### BUTTERFLY ADJUSTMENT

Code	3374 14NI	3374 38NI	3374 12NI	3374 34NI	3374 10NI
Size	1/4"	3/8"	1/2"	3/4"	1"
PN [bar]	40				

## CONSTRUCTION FEATURES

Body: Nickel-plated brass  
 Ball: Chrome plated brass  
 Seats: PTFE  
 Threaded connections: MF UNI-EN-ISO 228

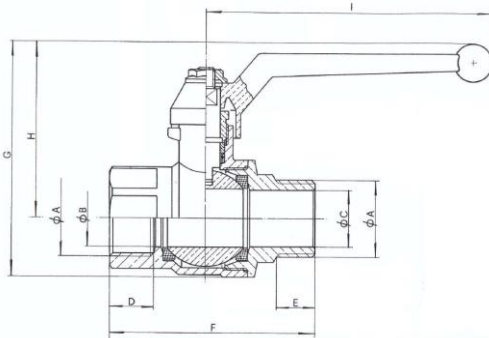
Lever or butterfly: Black painted aluminium  
 Passage: Total - Heavy Series

## TECHNICAL FEATURES

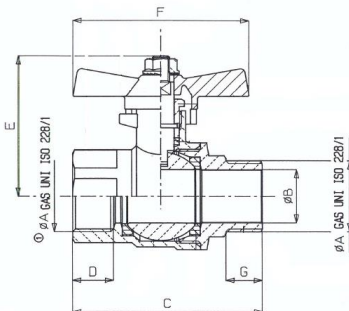
Temp. of use: -20 ÷ +120°C  
 P<sub>max</sub> use: refer to that stated in the table

Fluid of use: Water, water + glycol, steam and hydrocarbons

## DIMENSIONAL FEATURES

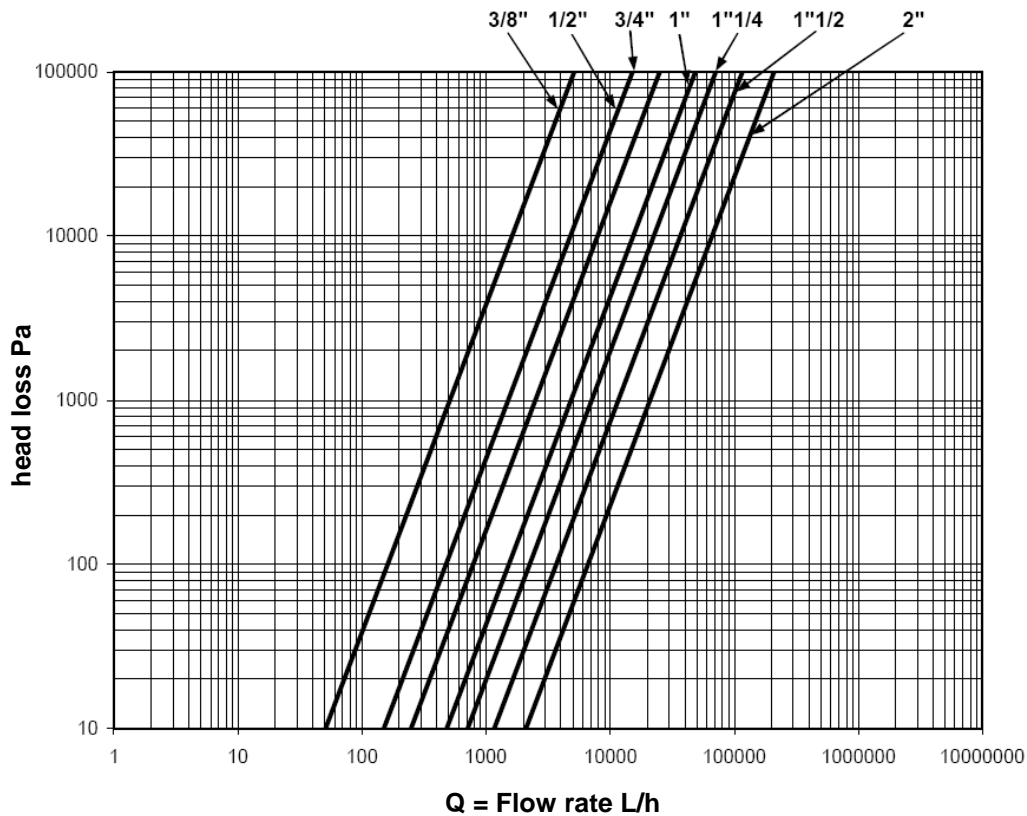


Code	Ø A	Ø B	Ø C	D [mm]	E [mm]	F [mm]	G [mm]	H [mm]	I [mm]
3373 14NI	1/4"	8	8	11	10	55	67.5	56	75
3373 38NI	3/8"	10	10	12	11	59	71.5	58.5	92
3373 12NI	1/2"	15	14.2	15	13	68	77.5	61	92
3373 34NI	3/4"	20	19.2	16.3	14.5	77	93	72.5	117
3373 10NI	1"	25	24.5	19.1	17	88.5	100.5	75.5	117
3373 04NI	1 1/4"	32	32	21.4	19	104	117.5	87	154.5
3373 02NI	1 1/2"	40	38	21.4	20	116	129	92.5	154.5
3373 20NI	2"	50	48	25.7	21	132	156	112	185



Code	Ø A	Ø B	C [mm]	D [mm]	E [mm]	F [mm]	G [mm]
3374 14NI	1/4"	8	55	11	48	52	10
3374 38NI	3/8"	10	59	12	49.5	52	11
3374 12NI	1/2"	15	68	15	52	74	13
3374 34NI	3/4"	20	77	16.3	63	82	14.5
3374 10NI	1"	25	88.5	19.1	66	82	17

## FLUID DYNAMICS FEATURES



Size	Kv (m <sup>3</sup> /h)
1/4"	-
3/8"	5.11
1/2"	15.07
3/4"	25.00
1"	48.33
1"1/4	71.10
1"1/2	116.28
2"	210.00

## VALVE INSTALLATION

- a) We recommend installing the valve using suitable tools only;
- b) We recommend installing and tightening the valve using only the sleeve that is in contact with the pipe thread.

## SAFETY REGULATIONS AND FIELD OF APPLICATION

- a) Before every installation, check the maximum pressure limit stated on the valve body, referring to the operating temperature at 20 °C. Example: PN 40, max. pressure 40 bar for water, hazardous and non-hazardous fluids;
- b) The fluid passing through the valve must not contain suspended solids, soiling and/or abrasive substances, that are not compatible with copper and alloys;
- c) No maintenance is required on the valve;
- d) Position the valve shutter (ball) only in closing or in opening. We recommend partial opening or closing;
- e) With the use of water and/or liquids in general, the operating temperature must not drop below their freezing point.



RBM spa reserves the right to improve and change the described products and related technical data at any moment and without prior notice: always refer to the instructions attached with the supplied components; this sheet is an aid, should the instructions be extremely schematic. Our technical department is always at your disposal for any doubt, problem or clarification.

**RBM**  
RBM Spa  
 Via S. Giuseppe, 1  
 25075 Nave (Brescia) Italy  
 Tel. 030-2537211 Fax 030-2531798  
 E-mail: info@rbm.eu - www.rbm.eu